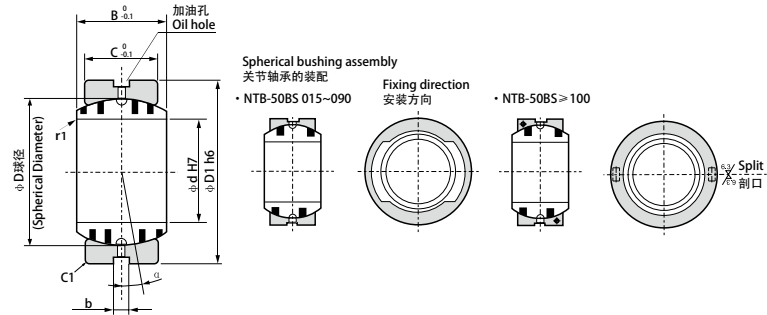


NTB-50BS

自润滑关节轴承 Oilless Spherical Plain Bushing



产品代号 Part No.	d	H7	D1	h6	B	C	D	b	调整角度Alignment Angle α°	径向承载Allowable Radial Load (kN)	径向承载Allowable Thrust Load (kN)
NTB-50BS-015	15	$^{+0.018}_0$	26	$^{0}_{-0.013}$	12	9	22	4	8	6.5	0.5
NTB-50BS-020	20	$^{+0.021}_0$	32	$^{0}_{-0.016}$	16	14	28	"	4	12.6	1.4
NTB-50BS-025	25	"	42	"	21	18	36	"	5	21.8	2.5
NTB-50BS-030	30	"	50	"	27	23	44	"	6	32.0	3.5
NTB-50BS-035	35	$^{+0.025}_0$	55	$^{0}_{-0.019}$	30	26	49	"	5	43.7	4.8
NTB-50BS-040	40	"	62	"	33	28	55	"	6	54.7	5.7
NTB-50BS-045	45	"	72	"	36	31	62	"	5	69.7	7.2
NTB-50BS-050	50	"	80	"	42	36	70	"	"	92.4	10
NTB-50BS-060	60	$^{+0.030}_0$	100	$^{0}_{-0.022}$	53	45	90	"	6	143	16
NTB-50BS-070	70	"	110	"	58	50	99	"	5	181	20
NTB-50BS-080	80	"	130	"	70	60	115	"	6	254	30
NTB-50BS-090	90	$^{+0.035}_0$	140	$^{0}_{-0.025}$	76	65	125	"	"	313	36
NTB-50BS-100	100	"	160	"	88	75	145	6	"	544	64
NTB-50BS-110	110	"	170	"	93	80	155	"	5	642	73
NTB-50BS-120	120	"	190	$^{0}_{-0.029}$	105	90	17	"	6	797	94
NTB-50BS-130	130	$^{+0.040}_0$	200	"	110	95	180	"	5	880	105
NTB-50BS-140	140	"	210	"	90	70	"	"	7	668	56
NTB-50BS-150	150	"	220	"	120	105	200	"	5	1135	129
NTB-50BS-160	160	"	230	"	105	80	"	"	8	891	73
NTB-50BS-180	180	"	260	$^{0}_{-0.032}$	105	"	225	"	6	1002	74
NTB-50BS-200	200	$^{+0.046}_0$	290	"	130	100	250	"	7	1434	117
NTB-50BS-220	220	"	320	$^{0}_{-0.036}$	135	"	275	"	8	1577	118
NTB-50BS-240	240	"	340	"	140	"	300	9	"	1720	"
NTB-50BS-260	260	$^{+0.052}_0$	370	"	150	110	325	"	7	2072	143
NTB-50BS-280	280	"	400	"	155	120	350	"	6	2455	172
NTB-50BS-300	300	"	430	$^{0}_{-0.040}$	165	120	375	"	7	2630	"